

Gigabyte Technology

3D Rocket II Cooler PCU23-VE Media kit



- *Universal Design for Intel P4 LGA775 / mPGA478 & AMD K8(754,939,940) / AM2 Platform*
- *Dual Fan Duct Design for Better Performance*
- *Super Silent*
- *Easy Clip Installation*
- *Side Fin Air Intake*
- *Wise Fan Speed Control Circuit*
- *Fan Speed Control Module*
- *Octahedral High Conductivity Heat Pipes Design*
- *Light Weight*
- *Brilliant Blue LEDS*
- *Gorgeous Package*
- *Extra Value Accessories*

Universal Design for Intel P4 LGA775 / mPGA478 & AMD K8(754,939,940) / AM2 Platform



LGA775RM



P4 Clip

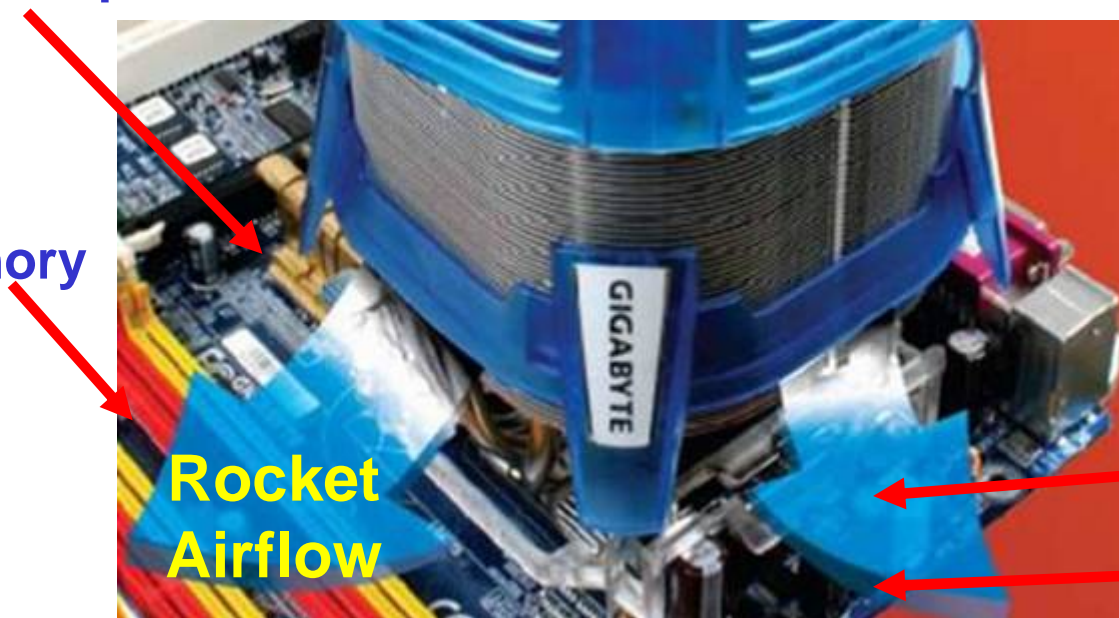


K8 Clip

No tool required

Powerful airflow cools surrounding components

Chipset

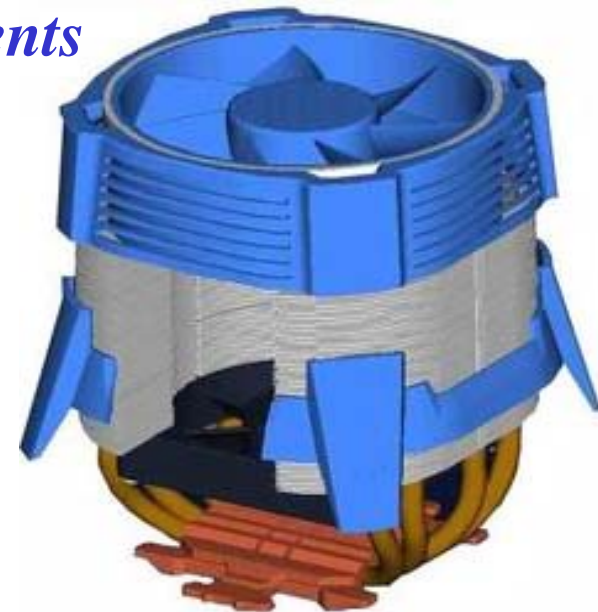


Memory

**Rocket
Airflow**

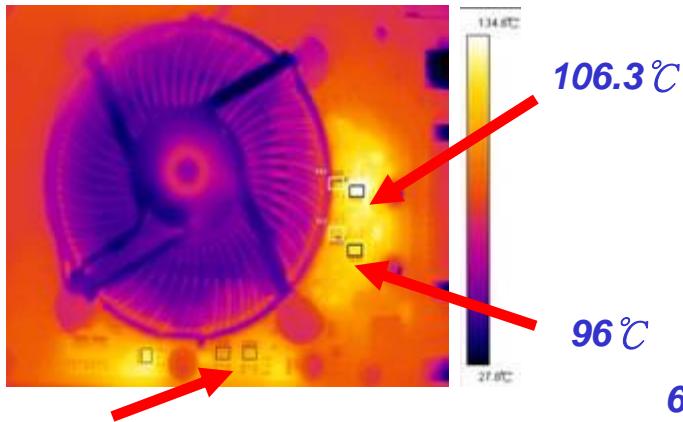
Mosfet

Capacitances



Increasing the temperature of capacitors by only 10 degrees reduces their lifetime by half.

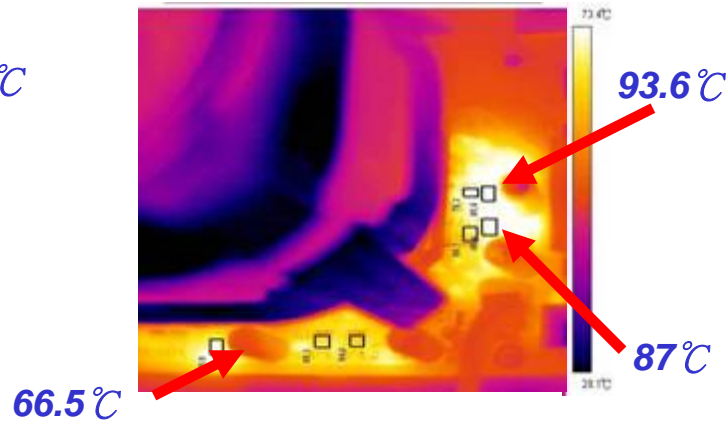
Intel P4 775 Boxed Cooler



89.4°C



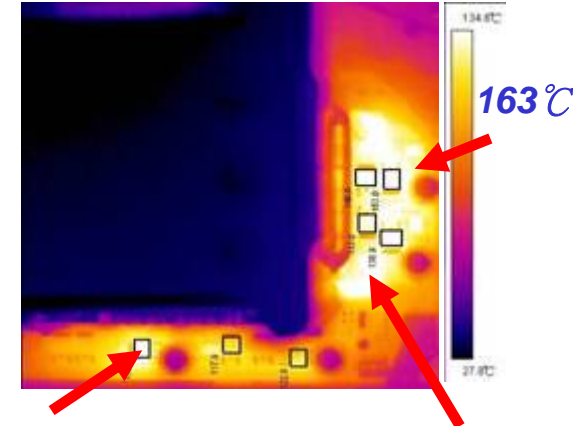
3D Rocket II Cooler



66.5°C

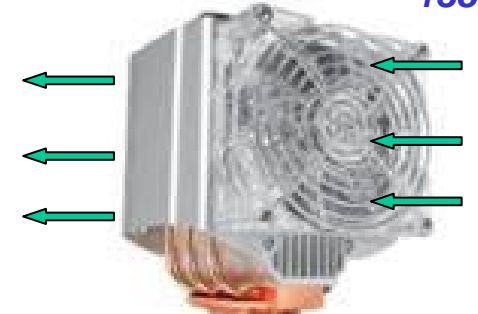


Traditional direct blow design Cooler



117.2°C

138.4°C



Traditional direct flow & side flow cooler can't cool surrounding components effectively. **REDUCING MOTHER BOARD LIFETIME!!**

3D Rocket II Cooler provides best cooling performance of mother board surrounding components.

Take away hot air quickly by vent holes on the side, system fan or fan of Power Supply.



Cool air to cool surrounding MOSFET and components.

Patent Pending Air Duct!!**Application I:**

If side panel with vent holes, hot air will be taken away through the holes without Air Duct.

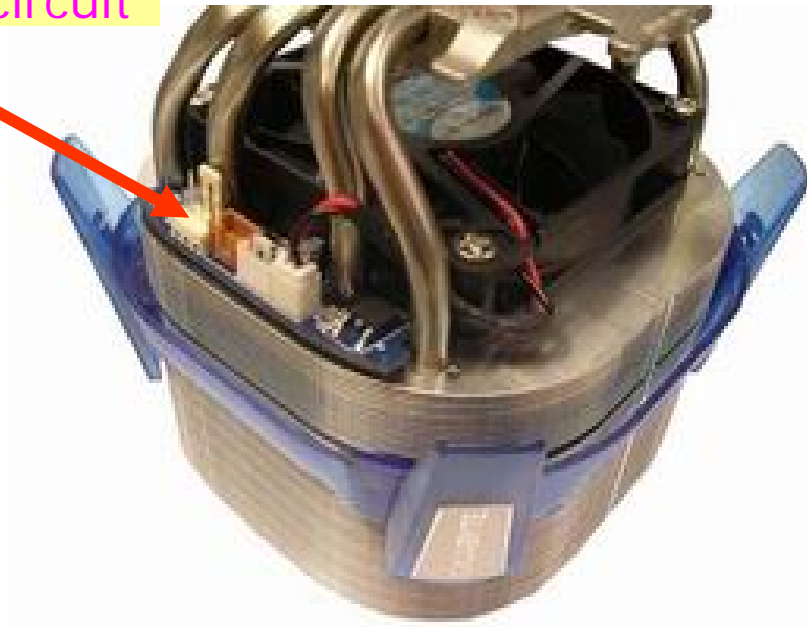
**Application II:**

If side panel without vent holes, please add Air Duct in order to guide the hot air out by system fan or fan of P/S quickly.



On board circuit maximizes fan performance while reducing fan noise. The cooler is able to operate at fan speeds between **1500 to 3000 rpm** while keeping the noise level within a comfortable range.

Smart fan Control circuit



Suitable for both 3.5" front panel and PCI bracket

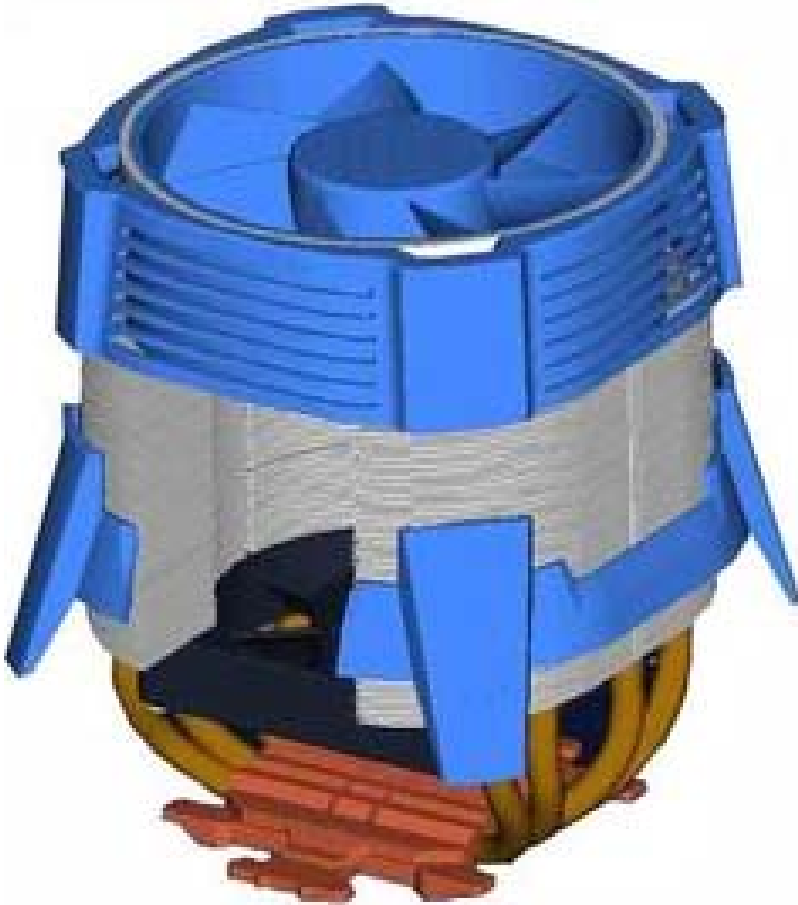


Front 3.5" panel



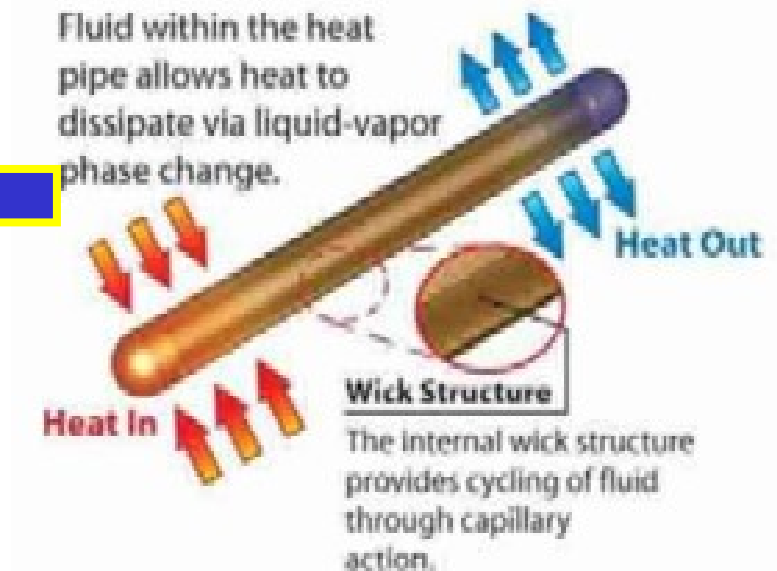
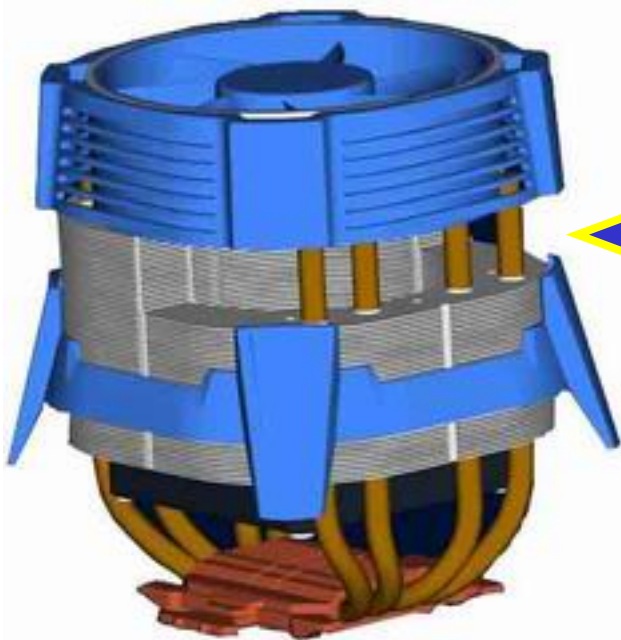
Rear PCI bracket

Uses a precision-forged copper base with a high conductivity heat pipe design and high density hollow aluminum fins. The overall weight of the 3D Rocket II is dramatically decreased to a total weight of just 640g. This lightweight structure removes any unneeded burden on your system without compromising its high-performing cool and quiet functionality.



High density precise forging copper bottom

The internal wick structure of the heat pipes provides cycling of fluid through capillary action. As a result, heat pipes used in conjunction with high density fins provide more efficient surface area in a limited amount of space.





8 directional heatpipes design



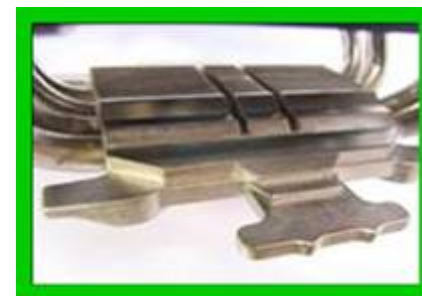
Super large Aluminum fins for more thermal area



Patent Pending Air Duct



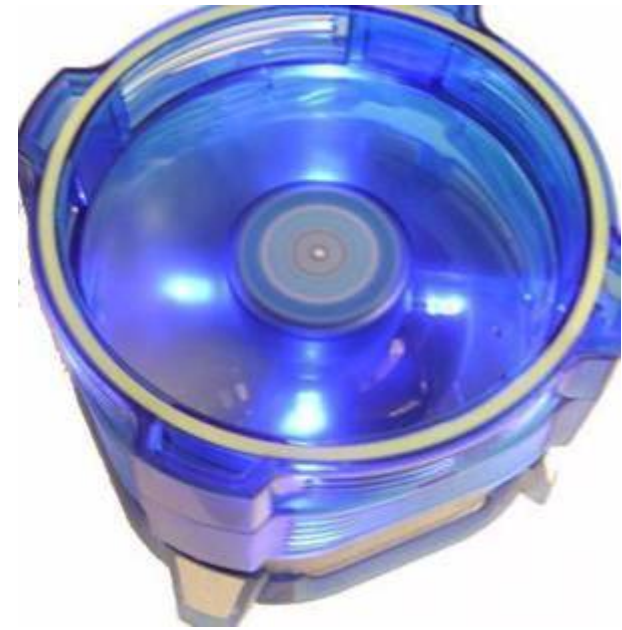
Neat and shiny copper bottom



Special die-casting technology



*Changeable UV fluorescent rings
(Blue / Green / Yellow / Orange)*



BLUE



GREEN



YELLOW



ORANGE





Cooler



Fan Duct



LGA775 Retention Mechanism



P4 Clip



3.5" fan speed control module



**Multi-Languages
Manu**



K8 Clip



PCI Bracket



Power Cable

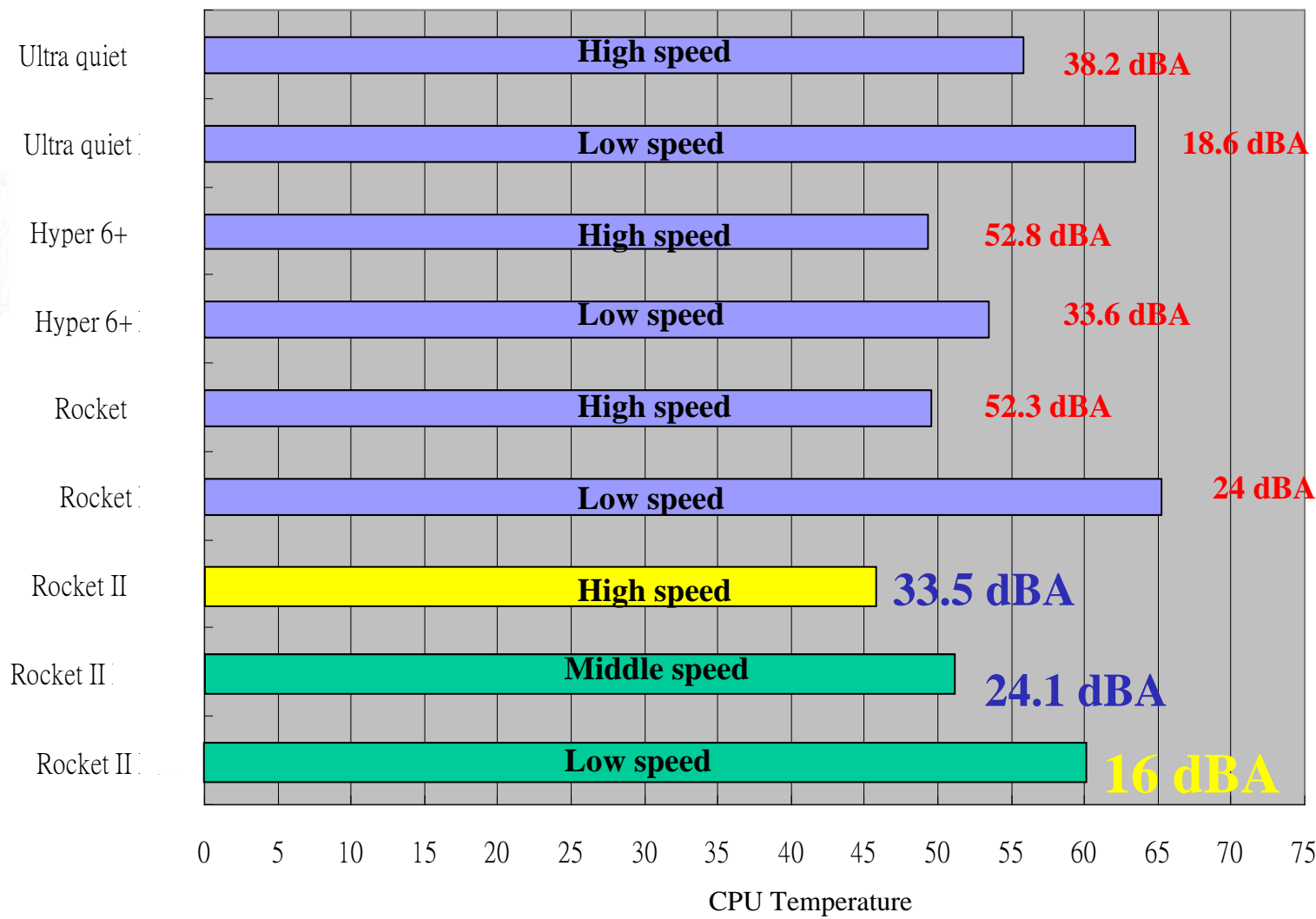


Grease

- ✦ **Heat Sink Dimension : 112 x 112 x 160 mm**
- ✦ **Fan Dimension : 92 x 92 x 25 mm**
- ✦ **Base Material : Copper**
- ✦ **Fin Material : Aluminum**
- ✦ **Rated Voltage : 12V**
- ✦ **Rated Current : 0.38A**
- ✦ **Fan Speed : 1,500 ~ 3,000 RPM**
- ✦ **Noise : 16 ~ 33.5 dBA**
- ✦ **Bearing Type : Ball Bearing**
- ✦ **Life Expectancy : 50,000 hrs**
- ✦ **Weight : 640g**

Compatible CPU :

- Intel® Pentium® Extreme Edition Series**
- Intel® Pentium® D Processor Series**
- Intel® Pentium® 4 Processor Series (LGA775)**
- Intel® Pentium® 4 Processor Series (mPGA 478)**
- Intel® Core™ 2 Duo Processor Series**
- AMD AM2 Series**
- AMD Athlon™ FX Series**
- AMD Athlon™ 64x2 Series**
- AMD Athlon™ 64 Series**



3D Rocket II can provide better performance and silent environment. It's your best choice.